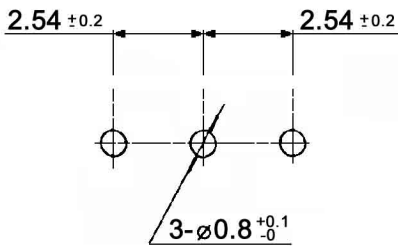
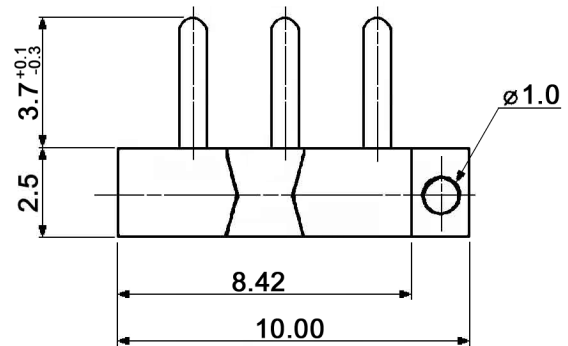
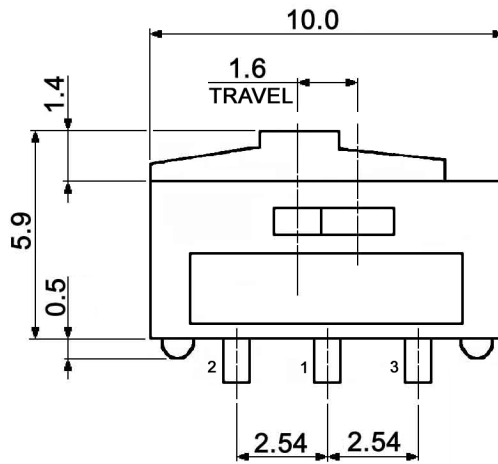
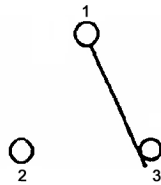


P.C. LAYOUT



SWITCH POSITION



Specifications:

Contact rating: 0.5A, 12V DC; 0.3A, 24V (AC/DC)
min. current: 1mA/10mV AC/DC

Contact resistance: 30mOhm max.

Insulation resistance: 10MOhm min. at 500V DC

Dielectric strength: 500V AC for 1 minute

Operating temperature: -40°C to +85°C

Storage temperature: -40°C to +85°C

Mechanical life: 10 000 cycles

Electrical life: 1000 cycles

Operating force: 800gf max.

Soldering conditions: 270°C, 5sec.

Humidity test: Test conditions: measured 1hour after exposure to ambient,
after 96hours exposure at 40 +/-2°C, 90-95%R.H

Saline spray test: 24hours

Material: Case / slide: glass fiber reinforce polyamide (UL94V-0), black case
Terminal and all contact parts: 0.05µm gold plated over 0.2µm nickel

Compliance: RohS II (2011/65/EU)

x	Slider color
(empty)	red
K	black
Y	yellow
IVO	ivory

Minimum order for "K", "Y" and "IVO" is 10K pcs per color

Tolerances:			Date	Name
Slider color	09/16	dr	03/07	dr
Delivery position	07/16	dr		
Specifications	04/14	dr		
Contact rating	04/13	dr		
Material	09/12	dr		
Mechanical life	07/07	dr		
Modifications	Date	Name		

MMP 1010 Dx-RA-1

knitter-switch

30 10 80

Page

1/1